



YUKON Series

Black Diamond Half-Cell Monofacial Module

400-415Wp
Module Power Output

21.25%
Max Efficiency



Key Features



High module conversion efficiency



Better temperature coefficient



Super multi busbar technology



Low attenuation long warranty



Superior load capacity



Aesthetic appearance

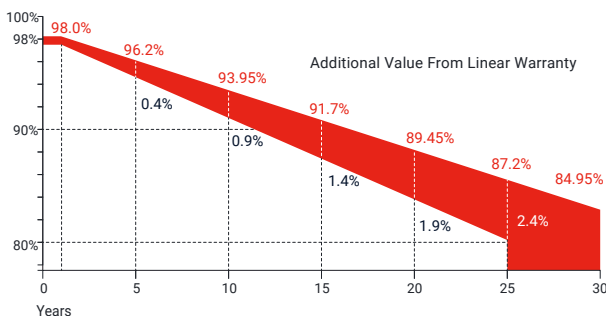


USA based liability insurance



Houston, Texas based company

Warranty



30 Years Guarantee on product material and workmanship

30 Years Linear power output warranty

Product Certification

IEC61215:2016; IEC 61730:2016; UL61215; UL61730	
IEC62804	PID
IEC61701	Salt Mist
IEC62716	Ammonia Resistance
IEC60068	Dust and Sand
IEC61215	Hailstone
Fire Type (UL61730): Type 29	
ISO14001:2015; ISO9001:2015; ISO45001:2018	



About SEG Solar

Founded in 2016, SEG is a leading vertically integrated PV manufacturer headquartered in Houston, Texas, U.S., and is dedicated to delivering reliable and cost-effective solar modules to the utility, commercial and residential markets. By the end of 2023, SEG has shipped over 5 GW of solar modules worldwide. The company is expected to exceed a production capacity of 5.5 GW by the end of 2024.



Download Datasheet

Electrical Characteristics

Module Type	SEG-400-BMD-BG		SEG-405-BMD-BG		SEG-410-BMD-BG		SEG-415-BMD-BG	
	Front STC	Front NOCT	Front STC	Front NOCT	Front STC	Front NOCT	Front STC	Front NOCT
Maximum Power -Pmp(Wp)*	400	301	405	304	410	308	415	311
Open Circuit Voltage -Voc(V)	37.12	36.64	37.22	34.73	37.32	34.81	37.42	34.90
Short Circuit Current -Isc(A)	13.60	10.99	13.70	11.07	13.80	11.15	13.90	11.23
Maximum Power Voltage -Vmp(V)	30.81	28.82	30.93	28.91	31.05	29.05	31.17	29.19
Maximum Power Current -Imp(A)	12.99	10.44	13.10	10.51	13.21	10.59	13.32	10.66
Module Efficiency(%)	20.48		20.74		21.00		21.25	
Power Tolerance(W)					(0, +4.99)			
Maximum System Voltage					1500V DC			
Maximum Series Fuse Rating					30 A			

STC: Irradiance 1000 W/m² module temperature 25°C AM=1.5
 *Measuring tolerance: ±3%

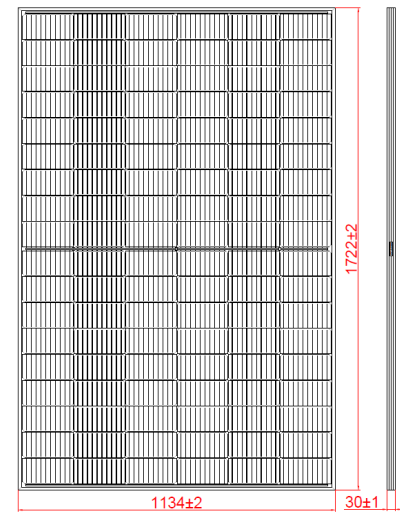
NOCT: Irradiance 800W/m² ambient temperature 20°C module temperature 45°C wind speed: 1m/s

Mechanical Specifications

External Dimension	1722 x 1134 x 30 mm
Weight	20.5 kg
Solar Cells	PERC Mono 182 x 91 mm(108 pcs)
Front Glass	1.6 mm AR coating semi-tempered glass
Back Glass	1.6 mm Semi-tempered glass
Frame	Black anodized aluminium alloy
Junction Box	IP68 / 3 diodes
Connector Type	PV-C002-xy /MC4
Cable Type	12 AWG PV Wire(UL)
Cable Length	Portrait: 400 mm(+)/ 200 mm(-) Landscape: 1200 mm(+)/ 1200 mm(-) or customized length
Mechanical Load(Front)	5400 Pa / 113 psf*
Mechanical Load(Rear)	2400 Pa / 50 psf*

*Refer to SEG installation manual for details

Technical Drawing



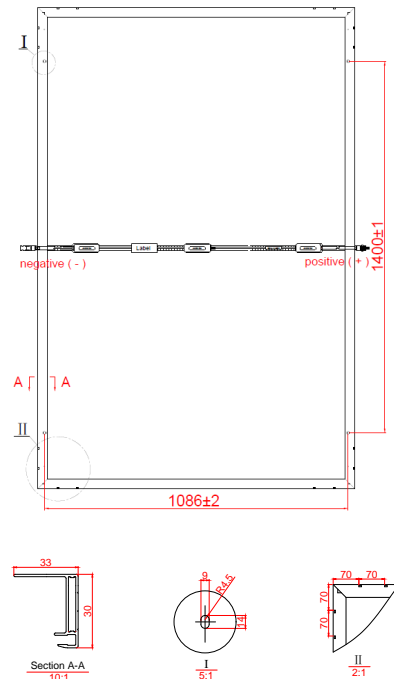
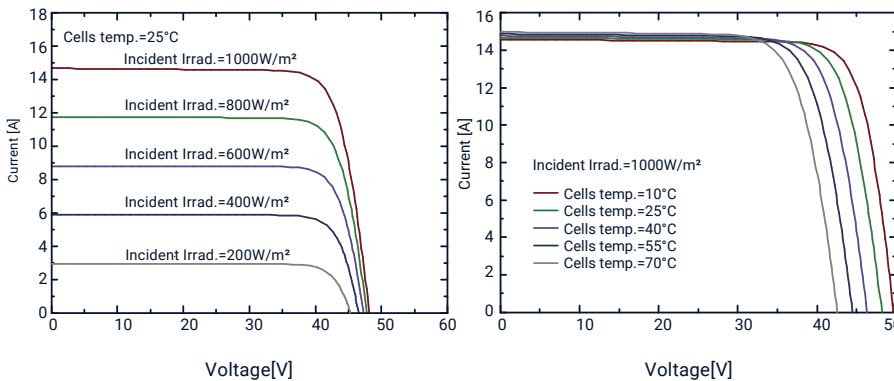
Temperature Characteristics

Pmax Temperature Coefficient	-0.35 %/°C
Voc Temperature Coefficient	-0.27 %/°C
Isc Temperature Coefficient	+0.05 %/°C
Operating Temperature	-40~+85 °C
Nominal Operating Cell Temperature (NOCT)	45±2 °C

Packing Configuration

Container	20'GP	40'HQ
Pieces per Pallet	36	36
Pallets per Container	6	24
Pieces per Container	216	864

I-V Curve



*Refer to SEG installation manual for details